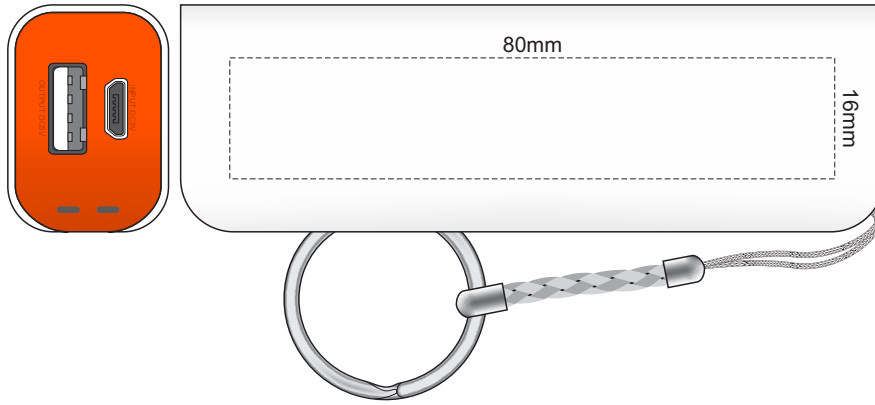
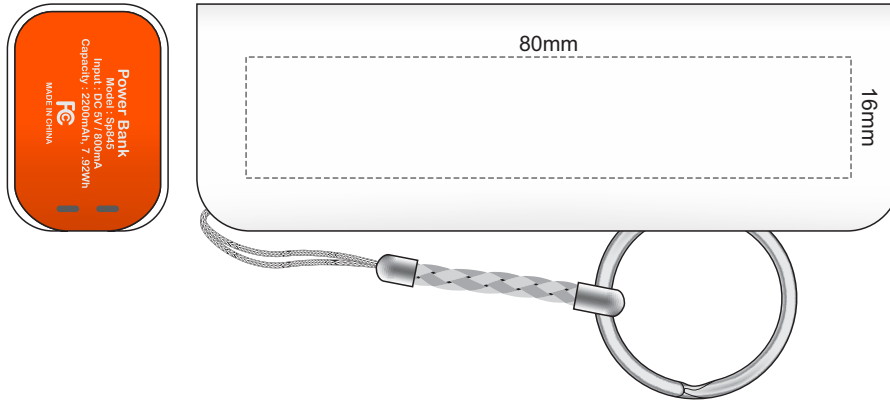


100% of Actual Size
Direct Digital SIDE 1

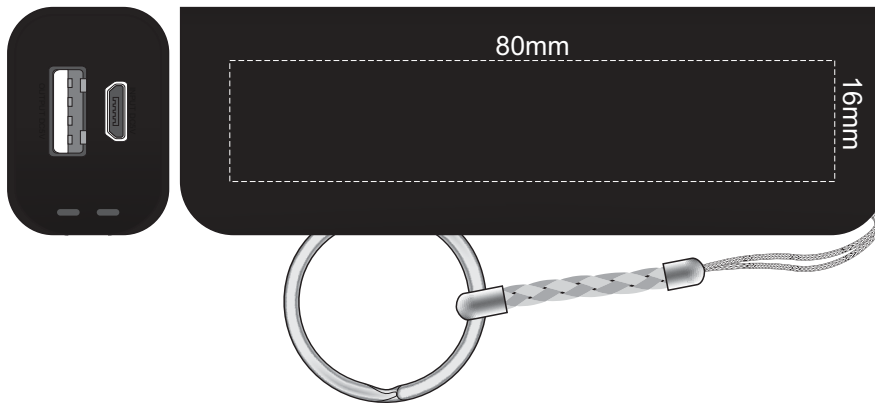


Direct Digital SIDE 2

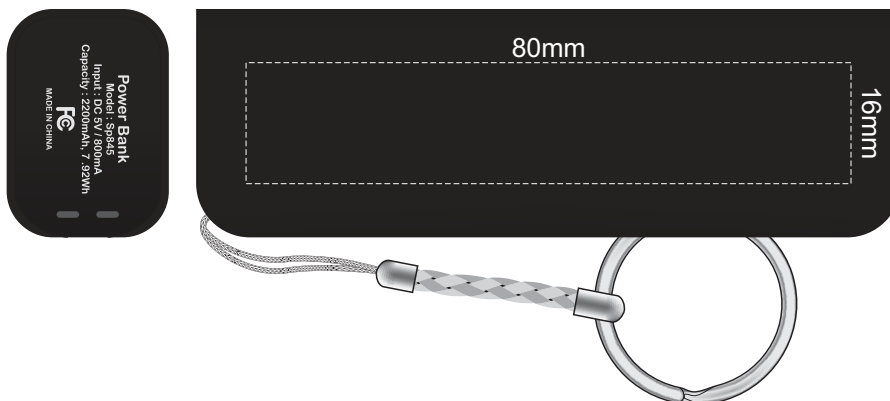


Please note: Artwork must be supplied in vector format

100% of Actual Size
Direct Digital SIDE 1



Direct Digital SIDE 2



Please note: Artwork must be supplied in vector format